

SUPAMAXX M50 BOLLARD

STANDARD TECHNICAL SPECIFICATION M50 BOLLARD

PRODUCT	M50 BOLLARD - MOVABLE (HYDRAULIC)
DESIGN	High security bollard in compact style with integrated hydraulic aggregate incl. EFO and separate control unit for up to five bollard units.
IMPACT LOAD	1852 kJ (7.5 t @ 80 km/h) Crash test certified according to PAS 68:2013 V/7500[N3]/80/90:5.2/7.8, IWA 14-1:2013 V/7200[N3C]/80/90:5.5 and ASTM F 2656-07 M50/P2
BLOCKING ELEMENT	Diameter: 355 mm, 30 mm wall thickness
BLOCKING HEIGHT	1100 mm above finished floor level
EMERGENCY OPERATION	Bollard remains in the raised position power failure and can be lowered manually during
OPERATING TIMES	Raising: approx. 5-6 seconds Lowering: approx. 5-6 seconds
EMERGENCY FAST OPERATION (EFO)	Approx. 2-3 seconds raising
WHEEL LOAD	100 kN according to SLW60 – DIN 1072
DRIVE	2.25 kW nominal power, 400 Volt AC, three phase, 50 Hz
HYDRAULIC FLUID	Mineral oil HLP 22 or biodegradable oil Plantohyd 22 S, non-hazardous to water
CONTROL UNIT	PLC in control box for wall installation inside a building, control voltage 24 V max distance between bollard and control unit: 50 m
SUPPLY VOLTAGE	400 V (3Ph + N + PE), 50 Hz
LIGHTING (OPTIONAL)	Bollard top lighting, Ufo-shape, LED red, white or yellow
CONTROL BOX	Control unit configuration Standard/Plus: HxWxD = 400x400x200 mm, IP 66 (for single bollard unit) HxWxD = 600x400x200 mm, IP 66 (for double and triple bollard unit) HxWxD = 600x600x200 mm, IP 66 (for quadruple and penta bollard unit) Control unit configuration Vario: HxWxD = 600x400x200 mm, IP 66 (for single and double bollard unit) HxWxD = 600x600x200 mm, IP 66 (for triple up to penta bollard unit) Control unit configuration Vario RO1: HxWxD = 800x400x300 mm, IP 66 (for single and double bollard unit) HxWxD = 800x600x200 mm, IP 66 (for triple up to penta bollard unit)
CONTROL CABINET (OPTIONAL)	Control box installed in outdoor control cabinet complete with rain cover, hygrostat, thermostat, heater and outdoor coating HxWxD = 1000x800x400 mm + 200 mm socket (for control unit configuration Vario) HxWxD = 1200x1200x400 mm + 200 mm socket (for control unit configuration Vario RO1)
WEIGHT	Approx. 1400 kg incl. Metal housing
COLOUR (STANDARD)	Blocking element RAL 6005, 7016, 7030, 7035 or 9010 Bollard top plate galvanised finish Cover plate galvanised finish Metal housing galvanised finish
OPTIONAL FINISH	Blocking element with stainless steel sleeve and stainless steel top plate
TEMPERATURE RANGE	-20°C – 65°C
OPTIONAL	Heating for up to -30°C

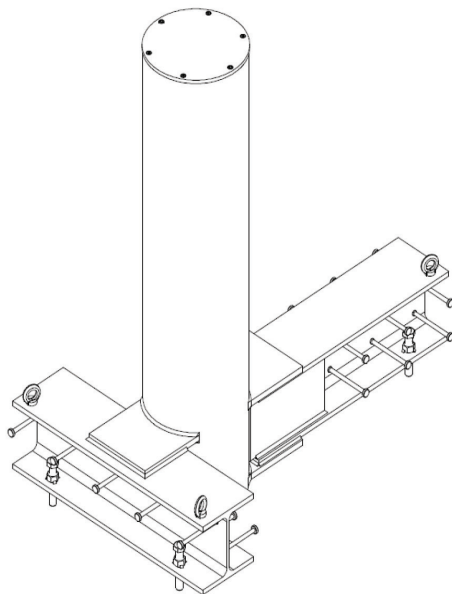
SUPAMAXX M50 BOLLARD

STANDARD TECHNICAL SPECIFICATION M50 BOLLARD

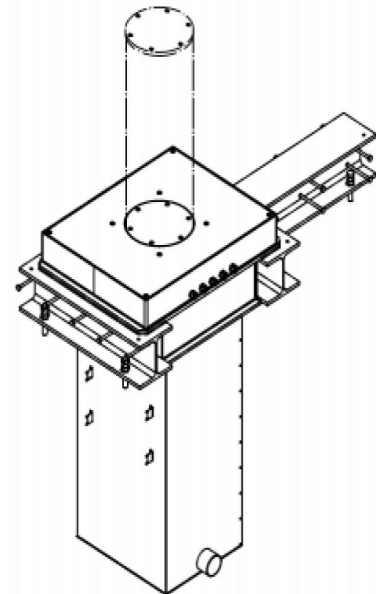
PRODUCT	M50 BOLLARD - FIXED
DESIGN	Blocking bollard(s) with base supports for shallow mount installation. Bollard system can be adapted on site for corner applications.
IMPACT LOAD	1699 kJ (6.8 t @ 50 mph) Crash test certified according to ASTM F 2656-07 M50/P1 (triple unit)
BLOCKING ELEMENT	Diameter: 355 mm with welded on steel top plate, optional: screwed on steel top plate, in galvanised finish or coated in colour of blocking element
WALL THICKNESS	30 mm
BLOCKING HEIGHT	1100 mm
FOUNDATION SIZE	4500 x 2500 x 400 mm (triple unit)
FOUNDATION TOP EDGE	100 mm below finished floor level
WEIGHT	620 kg
OPTIONS	Bollard top lighting, Ufo-shape, red, white or yellow Stainless steel sleeve with screwed on or welded stainless steel top plate
COLOUR (STANDARD)	RAL 6005 moss green RAL 7016 anthracite grey RAL 7030 stone grey RAL 7035 light grey RAL 9010 pure white
COLOUR (OPTIONAL)	Other RAL colours or DB colours

TECHNICAL DRAWING M50 BOLLARD

M50 BOLLARD - FIXED



M50 BOLLARD - MOVABLE (HYDRAULIC)



Check out our other HVM products at supamaxx.com.au

1300 225 521 | supamaxx.com.au

© SUPAMAXX 2019