



## SUPAMAXX CARSTOPPER 30

### PRODUCT SUMMARY

Carstopper 30 is a shallow mount single removable bollard. This new patent pending design is a technology break-through in shallow mount single removal bollard. This can be fitted in a single or long runs, it is the only 200 deep single removable car park bollard in the market to date. It is an ideal solution to protect the retail shops, banks, sports stadiums, cash machine (atm's) and all accidental impacts.

*This low cost single shallow mount removable bollard is an ideal anti-ram bollard solution. It is tested for Anti-terrorist protection, giving you the highest specification available. (See DVD)*

On low impacts the spring bollard will not need replacing as it will return to its original position. The shallow foundation will reduce the need to re-divert utilities. The system is small and easy to install keeping installation cost low. Once fitted and covered with a stainless steel shroud it is aesthetically pleasing and will need no maintenance, for access to maintenance area the bollard can be removed easily.

### APPLICATIONS

- Airports
- Sports Arenas
- Retail Parks
- Police Stations
- Critical Infrastructure
- Government Buildings
- Conference Centres

## SUPAMAXX CARSTOPPER 30

### PAS 68 Anti-Terrorist Low Cost Single Shallow Mount Removable Bollard



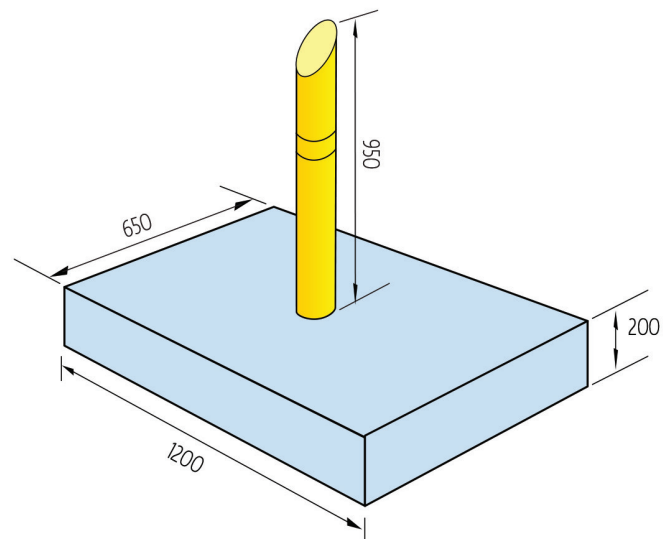
*'Shallow mount foundation...  
Only 200mm deep single removable bollard!'*

### CARSTOPPER 30 PAS68 VEHICLE PERFORMANCE CLASSIFICATION

| Vehicle Test Weight | Vehicle Class | Vehicle Speed | Vehicle Angle | Vehicle Penetration | 25KG+ Dispersion |
|---------------------|---------------|---------------|---------------|---------------------|------------------|
| V/1500 KG           | M1            | 48            | 90            | 1.76                | 0.00             |

### STANDARD TECHNICAL SPECIFICATION

| PRODUCT             | SUPAMAXX CARSTOPPER 30               |
|---------------------|--------------------------------------|
| HEIGHT ABOVE GROUND | 850mm                                |
| WIDTH               | 110mm                                |
| Footing Depth       | Only 200mm                           |
| Options             | Stainless Steel or Mild Steel Shroud |



Check out our other HVM products at [supamaxx.com.au](http://supamaxx.com.au)

1300 225 521 | [supamaxx.com.au](http://supamaxx.com.au)

© SUPAMAXX 2019

