



SUPAMAXX CAR IMMOBILISER 30

PRODUCT SUMMARY

Car Immobiliser 30 is a shallow mount single removable bollard. This new patent pending design is a technology break-through in shallow mount single removal bollard. This can be fitted in a single or long runs, it is the only 200 deep single removable car park bollard in the market to date. It is an ideal solution to protect the retail shops, banks, sports stadiums, cash machine (atm's) and all accidental impacts.

This low cost single shallow mount removable bollard is an ideal anti-ram bollard solution. It is tested for Anti-terrorist protection, giving you the highest specification available.

On low impacts the spring bollard will not need replacing as it will return to its original position. The shallow foundation will reduce the need to re-divert utilities. The system is small and easy to install keeping installation cost low. Once fitted and covered with a stainless steel shroud it is aesthetically pleasing and will need no maintenance, for access to maintenance area the bollard can be removed easily.

APPLICATIONS

- Airports
- Sports Arenas
- Retail Parks
- Police Stations
- Critical Infrastructure
- Government Buildings
- Conference Centres

SUPAMAXX CAR IMMOBILISER 30

PAS 68 Anti-Terrorist Low Cost Single Shallow Mount Removable Bollard



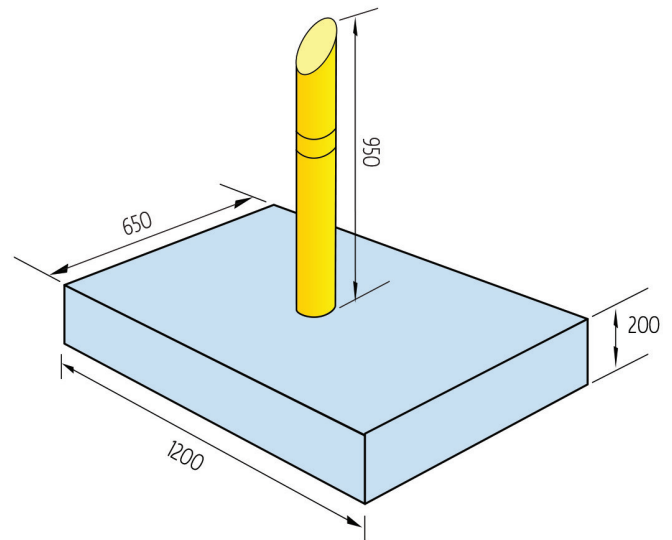
*'Shallow mount foundation...
Only 200mm deep single removable bollard!'*

CAR IMMOBILISER 30 PAS68 VEHICLE PERFORMANCE CLASSIFICATION

Vehicle Test Weight	Vehicle Class	Vehicle Speed	Vehicle Angle	Vehicle Penetration	25KG+ Dispersion
V/1500 KG	M1	48	90	1.76	0.00

STANDARD TECHNICAL SPECIFICATION

PRODUCT	SUPAMAXX CAR IMMOBILISER 30
HEIGHT ABOVE GROUND	850mm
WIDTH	73mm
Footing Depth	Only 200mm
Options	Stainless Steel or Mild Steel Shroud



Check out our other HVM products at supamaxx.com.au

1300 225 521 | supamaxx.com.au

© SUPAMAXX 2019

