



IMMOBILISER BOOM GATE M30 & M50

PRODUCT SUMMARY

Immobiliser Boom Gates M30& M50 take barrier arms to the extreme. These machines stop a 15,000lb truck driving 30mph (and 50mph respectively) in its tracks. While they protect nuclear power plants, government agencies, defence facilities and many other key assets, they also protect against accidental injury and death. Nearly all crash barrier accidents happen to authorized gate users, posing significant user peril and owner liability exposure.

“Immobiliser Boom Gates m30& m50 mitigates this fact by employing many standard safety benefits not offered by competitor operators”

Lower barrier arms ensures that initial impact on small passenger vehicles occurs at the front of the vehicle, slowing or stopping the vehicle before the upper barrier arm impacts the passenger compartment. Most other designs, without a lower arm, would hit at windshield level sheering off the top half of a smaller vehicle. A smaller vehicle is more likely to be driven by a non-threatening innocent motorist. Entrapment shield around catch post prevents potential pedestrian entrapment or injury. Bright LED arm lighting increases visibility, especially at night and in harsh weather, to prevent accidental collision.

STANDARD BENEFITS

- Ultra reliable hydraulics and controls
- Extremely low maintenance
- Highest lifetime value - lowest lifetime cost
- Dual arm design
- Highly visible LED lighting across entire length of upper arm
- Traffic signal
- Supervised photo eye
- Emergency Fast Close
- Hand pump for manual operation
- Integrated encoder provides precise arm positioning
- NEMA 3R all weather enclosure with superior hot dip galvanized anticorrosion finish
- Arm hydraulically locks - no need for Mag lock
- Environmentally friendly, wide temperature range fluid

IMMOBILISER BOOM GATES M30 & M50

Integrated photo eye automatically detects people or vehicles in the way of the barrier arm during closing. The traffic signal clearly alerts motorists when it is safe to pass through the barrier arm opening.

The plate mount design allows foundation construction independent of equipment installation. Self contained controls and hydraulics reduce the need for expensive and time consuming trenching of hydraulic hose and wiring to a remote control panel.

The arms also have ultra rugged hot dip galvanized steel for optimal corrosion protection. Available option: durable "Signal Yellow" polyester powder coat over zinc plate for an enduring, attractive finish. Shallow M30mount foundation reduces installation time and worries about utilities, water table and other site concerns.

The Immobiliser M30and M50 boom gate provides ultimate hardened security with unmatched user safety for the demanding reliability requirements of industrial, government and military users. The unique dual arm design prevents a 15,000lb (6.8 metric tons) truck or small passenger vehicle from penetrating a secure perimeter. Fast, continuous duty* arm speed minimises gate open time, and reduces traffic backup by moving more vehicles per hour through the access point.

IMMOBILISER BOOM GATE M30

- Crash certified to ASTM F2656-07 M30, P1 standard, stopping a 15,000lb (6.8 metric tons) truck traveling 30mph (48 km/h). Penetrated less than 1 metre.
- Fast arm speed, 6-8 seconds, reduces traffic backup by minimising gate open time thus allowing more vehicles per hour in fewer lanes.
- Deploy barrier arm in response to a threat in as little as 5 seconds with Emergency Fast Close.
- Unique dual arm design prevents a large truck or a small passenger vehicle from breaching the security perimeter.
- Foundation 6 x 6 x 2 ft (183 x 183 x 61 cm) or 4 ft square (122 cm square); 3,000psi concrete, #5 rebar, grade 60

IMMOBILISER BOOM GATE M50

- Crash certified to ASTM F2656-07 M50, P2 standard, stopping 15,000lb (6.8 metric tons) truck traveling 50mph (80km/h). Penetrated less than 1.3 meters.
- Fast arm speed, 7-10seconds, reduces traffic backup by minimising gate open time thus allowing more vehicles per hour in fewer lanes.
- Deploy barrier arm in response to a threat in as little as 6 seconds with Emergency Fast Close.
- Unique dual arm design prevents a large truck or a small passenger vehicle from breaching the security perimeter.
- Foundation 6 x 6 x 4 ft (183 x 183 x 122 cm) 4,000psi concrete, #6rebar, grade 60

STRONGARM M30



STRONGARM M50

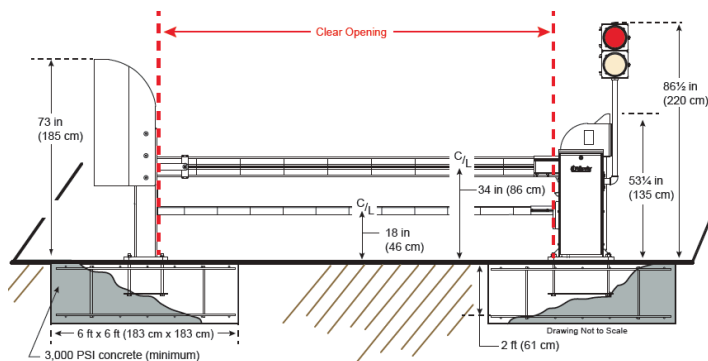


IMMOBILISER BOOM GATE M30 & M50

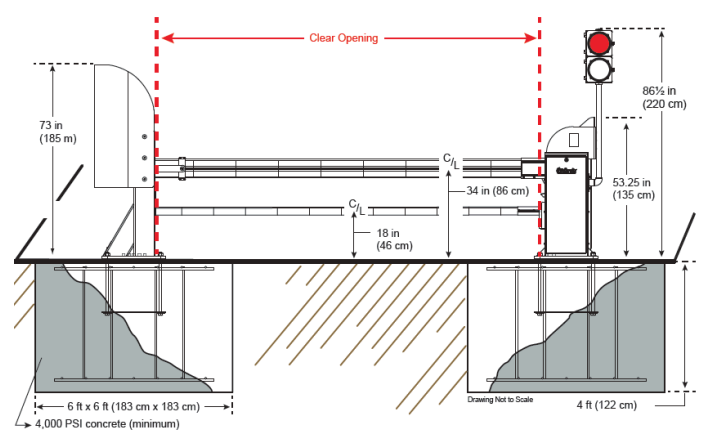
STANDARD TECHNICAL SPECIFICATION

PRODUCT	IMMOBILISER BOOM M30	IMMOBILISER BOOM M50
CRASH CERTIFIED	ASTM F2656-07 M30, P1	ASTM F2656-07 M50, P2
DUTY CYCLE	Continuous duty*	Continuous duty*
HORSEPOWER	2 hp	2 hp
OPEN/CLOSE	6 to 8 seconds depending on arm	6 to 8 seconds depending on arm
LENGTH		
EMERGENCY FAST CLOSE TIME	5 to 7 seconds depending on arm length	5 to 7 seconds depending on arm length
CLEAR OPENING	12 ft to 24 ft in 2 ft increments (366 cm to 732 cm in 61 cm increments) Call for custom arm length	12 ft to 24 ft in 2 ft increments (366 cm to 732 cm in 61 cm increments) Call for custom arm length
INGRESS PROTECTION	IP56	IP56
TEMP. RATING	-40° F to 158° F (-40° C to 70° C) using environmentally friendly uniflow fluid -10° f to 158° f (-23° c to 70° c) using	-40° F to 158° F (-40° C to 70° C) using environmentally friendly uniflow fluid -10° f to 158° f (-23° c to 70° c) using
BIODEGRADABLE FLUID		
1 PHASE POWER	208/230 VAC, 50/60 Hz 20A	208/230 VAC, 50/60 Hz 20A
3 PHASE POWER	208/230 VAC, 50/60 Hz 20A 380/480 VAC, 50/60 HZ 15A	208/230 VAC, 50/60 Hz 20A 380/480 VAC, 50/60 HZ 15A
FOUNDATION	6 x 6 x 2 ft (183 x 183 x 61 cm) or 4 ft square (122 cm square) 3,000 psi concrete, #5 rebar, grade 60	6 x 6 x 2 ft (183 x 183 x 61 cm) 4,000 psi concrete, #6 rebar, grade 60
COMMUNICATION	RS-232, RS-485	RS-232, RS-485
WARRANTY	5 year	5 year

IMMOBILISER BOOM GATE M30 TECHNICAL DRAWING



IMMOBILISER BOOM GATE M50 TECHNICAL DRAWING



Check out our other HVM products at supamaxx.com.au

1300 225 521 | supamaxx.com.au

© SUPAMAXX 2019

